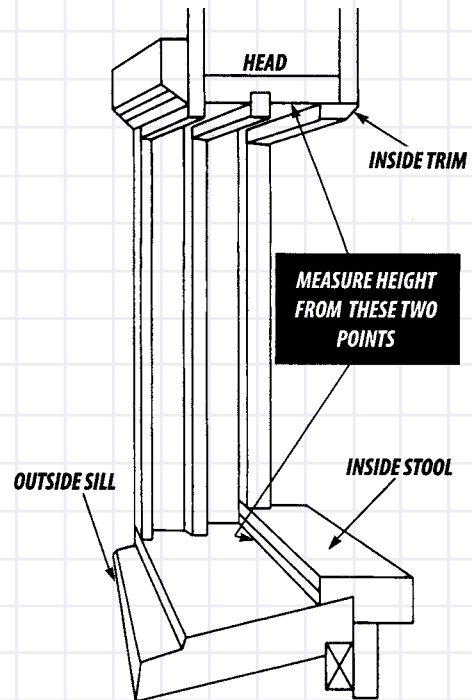
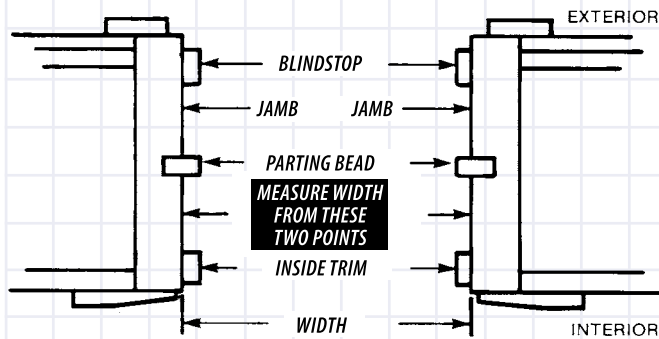


## Measuring Instructions for Replacement Windows

**Width:** Measure between jambs at three points; top, middle and bottom. Use the smallest measurement.

**Height:** Measure between outside sill, at stool, and top of window casing, on left and right sides. Use smallest measurement.  
Overall depth of window is 3¼".



## Measuring Instructions for Combination Aluminum Door

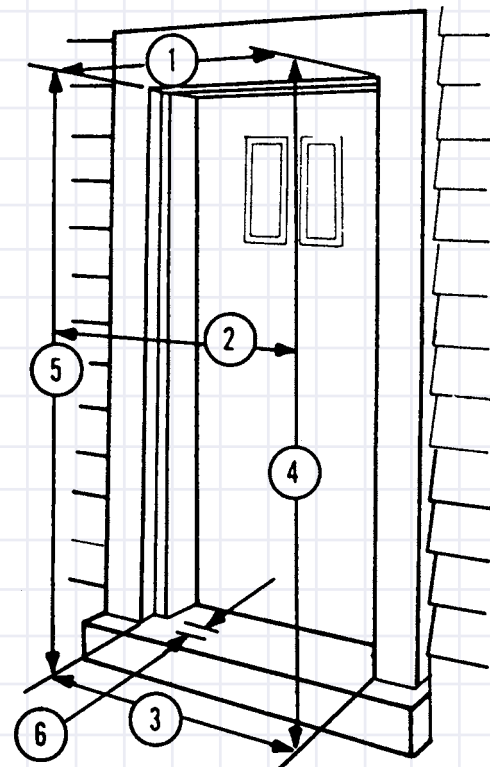
To properly measure any door opening, you must make six simple measurements. All measurements should be made from outside the house with the door closed. When making these measurements, remember: **WHEN DETERMINING THE WIDTH AND HEIGHT TO BE ORDERED, USE THE SMALLEST DIMENSION.**

**You must measure:**

1. Width of door frame opening at top.
2. Width of door frame opening in center.
3. Width of door frame opening at bottom.
4. Height of door frame opening on right.
5. Height of door frame opening on left.
6. Measure depth of rabbet (small recess on frame casing where storm door fits.)

If ¾" to 1", Order an Eastern  
If 1½" or More, Order Western.

All doors are furnished with "Z" Bars.



**For Factory Pre-Hanging:** To determine the hinging of pre-hung doors, face the door from outside the house, and tell us to pre-hang door with hinge on right or hinge on left side of door.

**REMEMBER:**

When ordering doors, you must provide the following:

1. Smallest frame opening width.
2. Smallest frame opening height.
3. Eastern or Western "Z" Bars.
4. Hinge Right or Hinge Left.
5. Style of Door and Finish.